

H-RANGE FEEDER HOPPERS



FEATURES & BENEFITS

- A stand alone hopper designed to provide a constant feed of material
- Adjustable angle tipping grid with integral loading plate
- Electric or hydraulic drive
- Variable operating heights
- Heavy-duty robust construction ideal for rugged operating environment
- Quick assembly time
- Transportable in standard containers



AGGREGATES



RECYCLING







INDUSTRIAL SANDS



MINING

H9 Feed Hopper Features & Benefits

-  AGGREGATES
-  RECYCLING
-  INDUSTRIAL SANDS
-  MINING

- 7m³ (9.2yards³) standard capacity hopper
- Various optional hopper extensions can be fitted to increase the capacity of the feeder:
 - 300mm → 8.8m³
 - 500mm → 9.9m³
 - 700mm → 11.1m³

- Heavy duty 1050mm (42") wide 3 ply 5+2 covers feed belt
- Electric direct drive conveyor powered by a 4kW (5.5hp) motor
- Optional electric—hydraulic powerpack with various configurations:
 - 3.8kW (5hp) for remote tipping only
 - 11kW (15hp) for remote tipping and conveyor drive
 - 18.5kW (25hp) for double deck vibrating grid only
 - 22 kW (30hp) for all of the above simultaneously

- Stand alone machine can be wired to isolators or incorporated into other pieces of equipment and operated from a central control panel



- Heavy duty steel bofor grid with hydraulically operated remote control tipping grid
- Standard 100mm grid aperture
- Wing plates and self cleaning bars

- Adjustable legs allow for various setup heights

- Heavy duty steel bofor grid with hydraulically operated remote control tipping grid
- Standard 100mm grid aperture
- Wing plates and self cleaning bars

- Optional reject chutes protect the components from rejected oversized material



H12 Feed Hopper Features & Benefits

- Heavy duty steel bofor grid with hydraulically operated remote control tipping grid
- Standard 100mm grid aperture
- Wing plates and self cleaning bars

- Hydraulically driven variable speed belt feeder allows for maximum control over plant feed rates
- Heavy duty 1050mm (42") wide 3 ply 5+2 covers feed belt
- Optional electric direct drive conveyor

- Optional double deck vibrating grid with remote control tipping grid
- 100mm bofor-bar grid aperture
- Woven wire mesh with various aperture size options can be fitted to the second deck







- 12m³ (16yards³) standard capacity hopper
- Various optional hopper extensions can be fitted to increase the capacity of the feeder:
 - 300mm → 13.8m³ capacity
 - 500mm → 15.0m³ capacity
 - 700mm → 16.2m³ capacity
- 37kW (50hp) electric—hydraulic powerpack which is suitable for operating both the tipping grid and vibrating grid simultaneously

- Adjustable legs allow for various setup heights
- Fully galvanised support legs

- Stand alone machine can be wired to isolators or incorporated into other pieces of equipment and operated from a central control panel.

- Optional reject chutes protect the components from rejected oversized material



-  **AGGREGATES**
-  **RECYCLING**
-  **INDUSTRIAL SANDS**
-  **MINING**

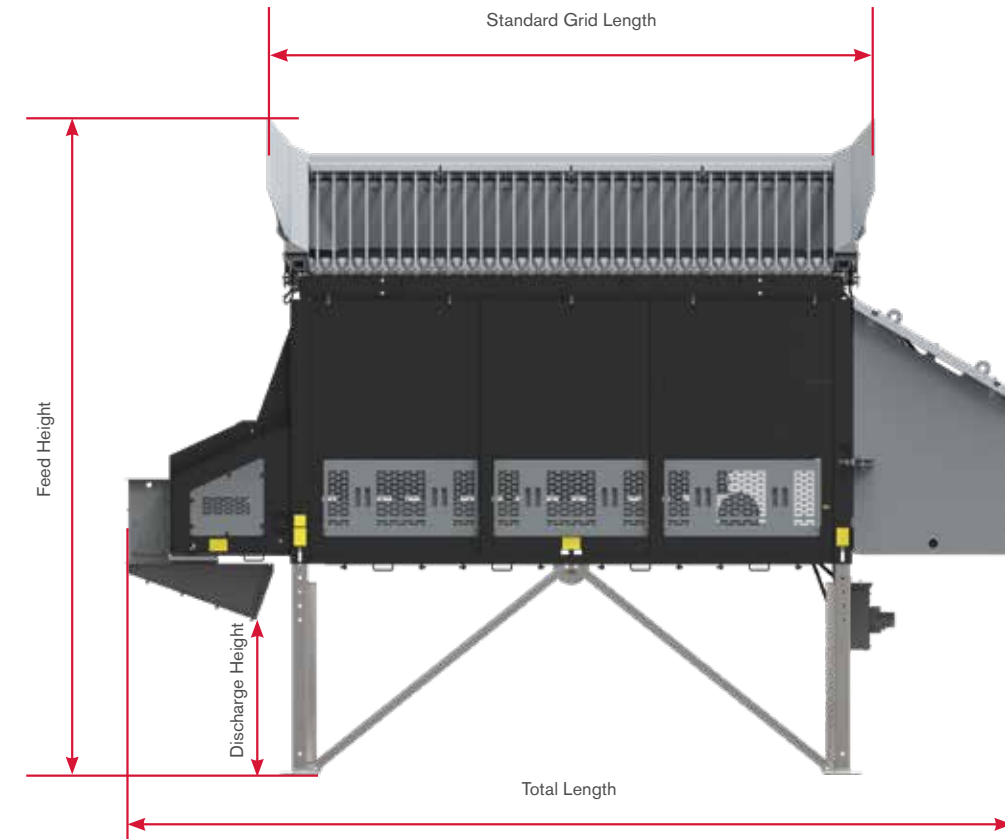
H20/H25 Feed Hopper Features & Benefits

- H20 - 20m³ (26.1yards³) capacity
- H25 - 25m³ (32.7yards³) capacity
- 3kW (5hp) Electric direct drive conveyor motor
- 1050mm (42") wide belt

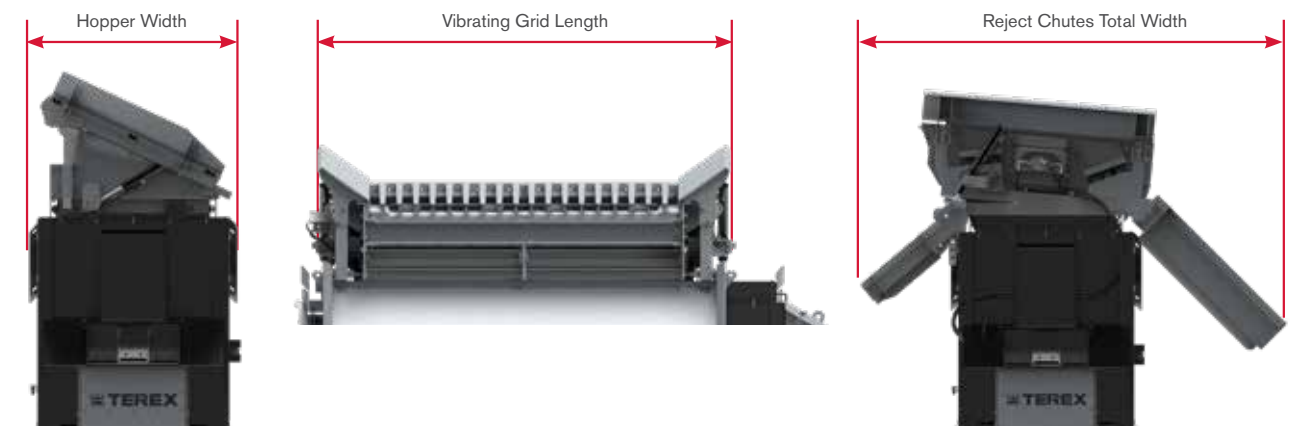


- Heavy duty bofor bars reject oversized material
- Fixed 35° angle tipping grid with integral loading plate
- Wing plates and self cleaning bars
- Oversized discharge chutes
- Rosta tensioned belt cleaner
- Optional feed conveyor impact rollers
- Heavy duty, robust steel construction

H Range Feed Hopper - Dimensions



Dimensions [mm (Imperial)]	H9	H12	H20	H25
Total Length	5520 (18'1")	6650 (21'10")	4920 (16'2")	4920 (16'2")
Standard Grid Length	4750 (15'7")	4750 (15'7")	4180 (13'8")	4180 (13'8")
Hopper Width	1840 (6'0")	2030 (6'8")	3200 (10'6")	3200 (10'6")
Max Feed Height*	4360 (14'4")	5460 (17'11")	6560 (21'6")	7320 (24'0")
Min Feed Height*	4060 (13'4")	4650 (15'3")	N/A	N/A
Max Discharge Height*	1530 (5'0")	2330 (7'8")	1420 (4'8")	1420 (4'8")
Min Discharge Height*	1230 (4'0")	1520 (5'0")	N/A	N/A
Vibrating Grid Length	3970 (13'0")	3970 (13'0")	N/A	N/A
Reject Chutes Total Width	4470 (14'8")	4470 (14'8")	4080 (13'4")	4080 (13'4")



TEREX WASHING SYSTEMS CONTACT DETAILS

Farlough Site

32 Farlough Road,
Dungannon,
Co. Tyrone
Northern Ireland,
BT71 4DT

Tel: +44(0) 28 8771 8500

Email: TWS.sales@terex.com

www.terex.com/washing

Linked   

Check out Terex Washing Systems videos
on YouTube: www.youtube.com/terexwashingsystems



Effective Date: February 2019 Product specifications and prices are subject to change without notice or obligation. The photographs and/or drawings in this document are for illustrative purposes only. Refer to the appropriate Operator's Manual for instructions on the proper use of this equipment. Failure to follow the appropriate Operator's Manual when using our equipment or to otherwise act irresponsibly may result in serious injury or death. The only warranty applicable to our equipment is the standard written warranty applicable to the particular product and sale and Terex makes no other warranty, express or implied. Products and services listed may be trademarks, service marks, or trade names of Terex Corporation and/or its subsidiaries in the USA and other countries. All rights are reserved. Terex is a registered trademark of Terex Corporation in the USA and many other countries.

© 2019 Terex Corporation.

 **TEREX**[®]
WASHING SYSTEMS

WASHING AS IT SHOULD BE